



Stainless Steel Housing P-EG

For Gas Filtration

P-EG Stainless Steel Housing

Ultrafilter P-EG

- The P-EG stainless steel housing was developed for purification of compressed air and other technical gases.
- With the optimized construction they offer low differential pressure at high flow rates.

Features and Advantages

- 18 different sizes for operating volumes from 60 to 23.040 Nm³/h related to 7 bar.
- Complies to the requirements of the European directive 2014/68/EU for pressure vessels.
- Plug connection guarantees that the elements remain safely fixed at all times.
- Different element sizes can be installed due to the modular design.

Surface Finish	
Inner 0006-0288	Etched and passivated Ra 0,8
Inner 0432-1920	Etched and passivated (not polished)
Outer 0006-0288	Etched, passivated and polished Ra 1,6
Outer 0432-1920	Etched and passivated (not polished)

Applications

- Breweries
- Chemical Industry
- Pharmaceutical Industry
- Cosmetics Industry
- Dairies
- Food and beverages

Connection Types	
Thread connection BSP	Standard for 0006-0288 single housing
Thread connection NPT	Standard for 0006-0288 single housing
DIN EN 1092-1 Flange	Standard from 0432 multiple housing
ANSI Flange	Standard from 0432 multiple housing
Welded ends (even DIN 11860 series 2) Other connections and bigger housings on request	

Maximum Design Temperature
200°C

Maximum Operating Pressure	
Housing size 0006-0192	16 bar
Housing size 0288	12 bar
Housing size 0432 - 1920	10 bar

Materials	
Filter housing	Stainless steel 1.4301 (304) or 1.4404 (316L)
Coupling nut	Stainless steel 1.4301 (304)
Plug	Stainless steel 1.4301 (304)
Housing gasket	EPM (other gasket upon request)



Kronsbein ultrafilter®

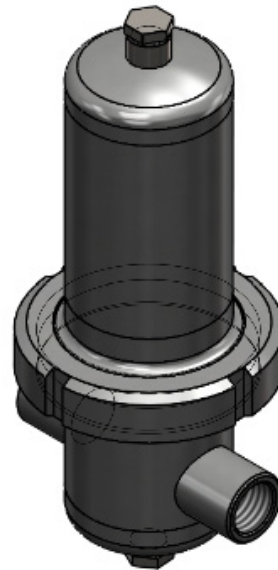
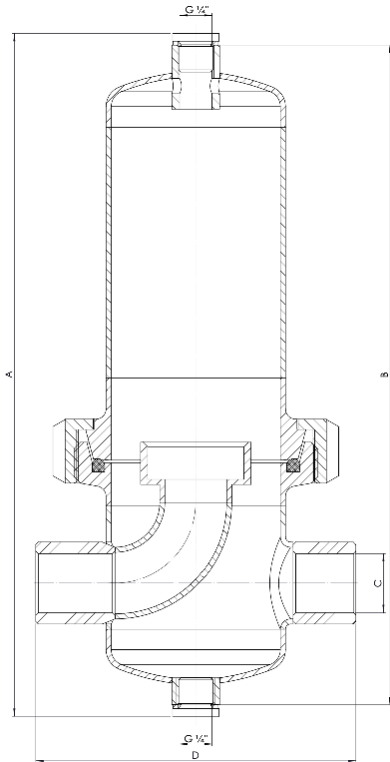
ultrafilter gmbh

Otto-Hahn-Str. 1 • 40721 Hilden • Germany
 Tel: +49 (0) 21 03.33 36 13 • Fax +49 (0) 21 03.33 36 36
 e-Mail: info@ultra-filter.de • www.ultra-filter.de

P-EG Stainless Steel Housing

Weight and Dimensions

Ultrafilter P-EG Filter Housings with BSP Threaded Connection

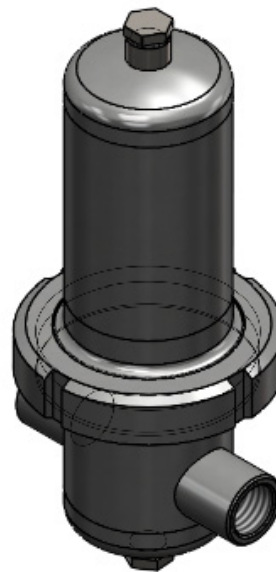
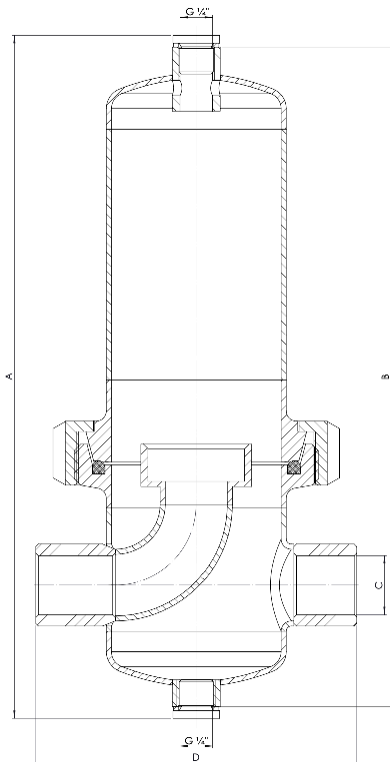


Typ/ Type	A max. Höhe / length [mm]	B Höhe / length [mm]	C Gewinde / thread [BSP]	D Weite Anschluss / length connec- tion [mm]	Volumen / volume [dm ³]	Masse / mass [kg]		Filter Element Size
						Gewinde / screwed	Flansch/ Flanged	
P-EG 0006 BSP	214,5	205,5	1/4"	108 ±3	0,6	2	-	03/10
P-EG 0009 BSP	242,5	233,5	3/8"	108 ±3	0,7	2,1	-	04/10
P-EG 0012 BSP	242,5	233,5	1/2"	108 ±3	0,7	2,2	-	04/20
P-EG 0018 BSP	266,5	257,5	3/4"	125 ±3	0,8	2,4	-	05/20
P-EG 0027 BSP	292,5	283,5	1"	125 ±3	1,3	3,2	-	05/25
P-EG 0036 BSP	344,5	335,5	1 1/4"	140 ±3	1,6	3,7	-	07/25
P-EG 0048 BSP	383	374	1 1/2"	170 ±3	2,8	5,1	-	07/30
P-EG 0072 BSP	458	449	2"	170 ±3	3,2	5,2	-	10/30
P-EG 0108 BSP	585	576	2"	170 ±3	4,5	5,8	-	15/30
P-EG 0144 BSP	735	726	2 1/2"	216 ±3	8,9	8,1	-	20/30
P-EG 0192 BSP	997	988	3"	216 ±3	12,2	9,6	-	30/30
P-EG 0288 BSP	1022	1013	3"	240 ±3	17,8	13	-	30/50

P-EG Stainless Steel Housing

Weight and Dimensions

Ultrafilter P-EG Filter Housings with NPT Threaded Connection



Typ/ Type	A max. Höhe / length [mm]	B Höhe / length [mm]	C Gewinde / thread [NPT]	D Weite Anschluss / length connec- tion [mm]	Volumen / volume [dm ³]	Masse / mass [kg]		Filter Element Size
						Gewinde / screwed	Flansch/ Flanged	
P-EG 0006 NPT	214,5	205,5	1/4"	108 ±3	0,6	2	-	03/10
P-EG 0009 NPT	242,5	233,5	3/8"	108 ±3	0,7	2,1	-	04/10
P-EG 0012 NPT	242,5	233,5	1/2"	108 ±3	0,7	2,2	-	04/20
P-EG 0018 NPT	266,5	257,5	3/4"	125±3	0,8	2,4	-	05/20
P-EG 0027 NPT	292,5	283,5	1"	125 ±3	1,3	3,2	-	05/25
P-EG 0036 NPT	344,5	335,5	1 1/4"	140 ±3	1,6	3,7	-	07/25
P-EG 0048 NPT	383	374	1 1/2"	170 ±3	2,8	5,2	-	07/30
P-EG 0072 NPT	458	449	2"	170 ±3	3,5	5,2	-	10/30
P-EG 0108 NPT	585	576	2"	170 ±3	4,5	5,8	-	15/30
P-EG 0144 NPT	735	726	2 1/2"	216 ±3	8,9	8,4	-	20/30
P-EG 0192 NPT	997	988	3"	216 ±3	12,2	10,4	-	30/30
P-EG 0288 NPT	1022	1013	3"	240 ±3	17,8	13,2	-	30/50



Kronsbein ultrafilter®

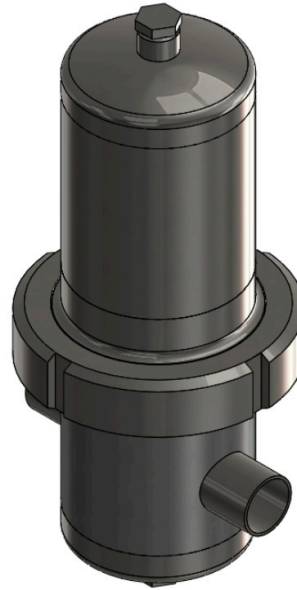
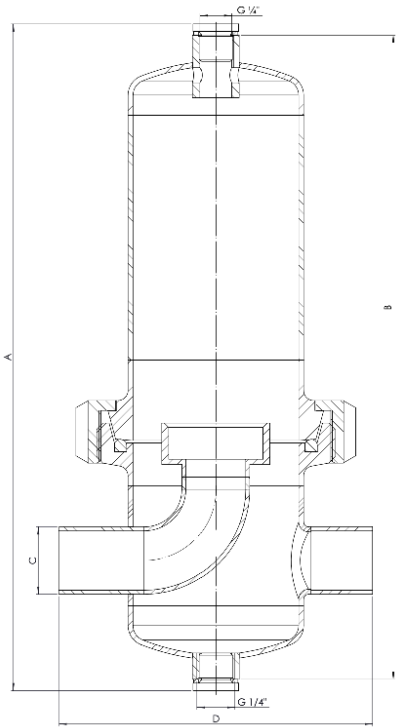
ultrafilter gmbh

Otto-Hahn-Str. 1 • 40721 Hilden • Germany
Tel: +49 (0) 21 03.33 36 13 • Fax +49 (0) 21 03.33 36 36
e-Mail: info@ultra-filter.de • www.ultra-filter.de

P-EG Stainless Steel Housing

Weight and Dimensions

Ultrafilter P-EG Filter Housings with Welded Connection acc. DIN ISO EN 1127



Typ/ Type	A max. Höhe / length [mm]	B Höhe / length [mm]	C Anschluss / connection [mm] DIN EN ISO 1127	D Weite Anschluss / length connec- tion [mm]	Volumen / volume [dm ³]	Masse / mass [kg]	Filter Element Size
P-EG 0006 ASA	214,5	205,5	Ø17,2 DN10	108 ± 3	0,6	2	03/10
P-EG 0009 ASA	242,5	233,5	Ø17,2 DN10	108 ± 3	0,7	2,1	04/10
P-EG 0012 ASA	242,5	233,5	Ø21,3 DN15	108 ± 3	0,7	2	04/20
P-EG 0018 ASA	266,5	257,5	Ø26,9 DN20	125 ± 3	0,8	2,2	05/20
P-EG 0027 ASA	292,5	283,5	Ø33,7 DN25	135 ± 3	1,3	3,1	05/25
P-EG 0036 ASA	344,5	335,5	Ø42,4 DN32	140 ± 3	1,7	3,4	07/25
P-EG 0048 ASA	383	374	Ø48,3 DN40	170 ± 3	2,8	4,6	07/30
P-EG 0072 ASA	458	449	Ø60,3 DN50	170 ± 3	3,5	4,9	10/30
P-EG 0108 ASA	585	576	Ø60,3 DN50	170 ± 3	4,5	5,6	15/30
P-EG 0144 ASA	735	726	Ø75,3 DN65	216 ± 3	9	7,9	20/30
P-EG 0192 ASA	997	988	Ø88,9 DN80	216 ± 3	12,2	9,6	30/30
P-EG 0288 ASA	1022	1013	Ø88,9 DN80	240 ± 3	17,7	12,3	30/50



Kronsbein ultrafilter®

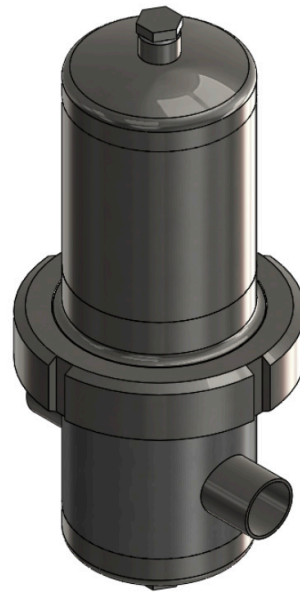
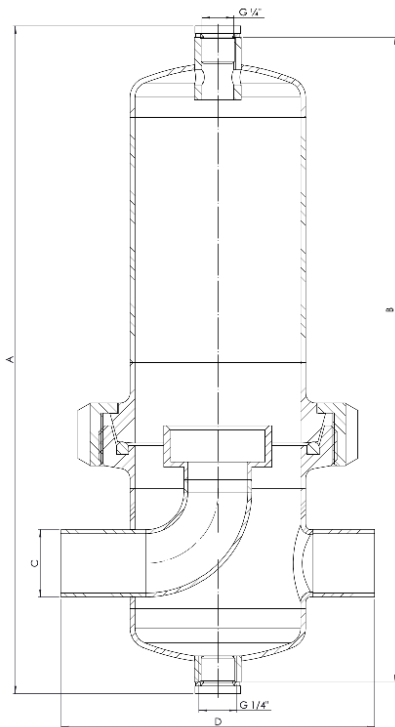
ultrafilter gmbh

Otto-Hahn-Str. 1 • 40721 Hilden • Germany
Tel: +49 [0] 21 03.33 36 13 • Fax +49[0]21 03.33 36 36
e-Mail: info@ultra-filter.de • www.ultra-filter.de

P-EG Stainless Steel Housing

Weight and Dimensions

Ultrafilter P-EG Filter Housings with Welded Connection acc. DIN 11850 Reihe 2



Typ/ Type	A max. Höhe / length [mm]	B Höhe / length [mm]	C Anschluss / connection [mm] DIN 11850 Reihe 2	D Weite Anschluss / length connec- tion [mm]	Volumen / volume [dm ³]	Masse / mass [kg]	Filter Element Size
P-EG 0006 ASA DIN	214,5	205,5	Ø13 DN10	108 ± 3	0,6	2	03/10
P-EG 0009 ASA DIN	242,5	233,5	Ø13 DN10	108 ± 3	0,7	2,1	04/10
P-EG 0012 ASA DIN	242,5	233,5	Ø19 DN15	108 ± 3	0,7	2,1	04/20
P-EG 0018 ASA DIN	266,5	257,5	Ø25 DN20	125 ± 3	0,8	2,2	05/20
P-EG 0027 ASA DIN	292,5	283,5	Ø29 DN25	135 ± 3	1,3	3,1	05/25
P-EG 0036 ASA DIN	344,5	335,5	Ø35 DN32	140 ± 3	1,7	3,4	07/25
P-EG 0048 ASA DIN	383	374	Ø41 DN40	170 ± 3	2,8	4,6	07/30
P-EG 0072 ASA DIN	458	449	Ø53 DN50	170 ± 3	3,5	4,9	10/30
P-EG 0108 ASA DIN	585	576	Ø53 DN50	170 ± 3	4,5	5,6	15/30
P-EG 0144 ASA DIN	735	726	Ø70 DN65	216 ± 3	9	7,9	20/30
P-EG 0192 ASA DIN	997	988	Ø85 DN80	216 ± 3	12,2	9,6	30/30
P-EG 0288 ASA DIN	1022	1013	Ø85 DN80	240 ± 3	17,7	12,3	30/50



Kronsbein ultrafilter®

ultrafilter gmbh

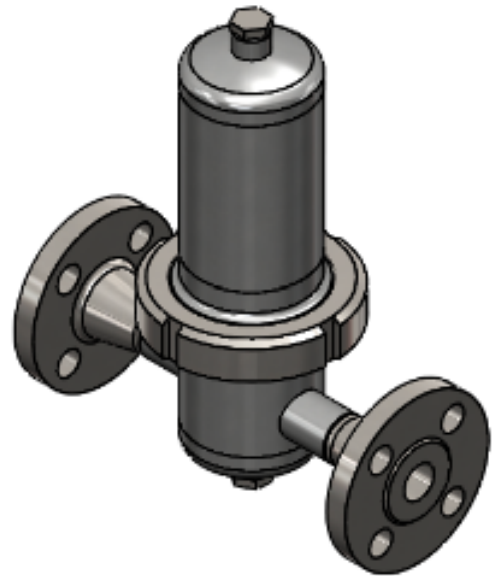
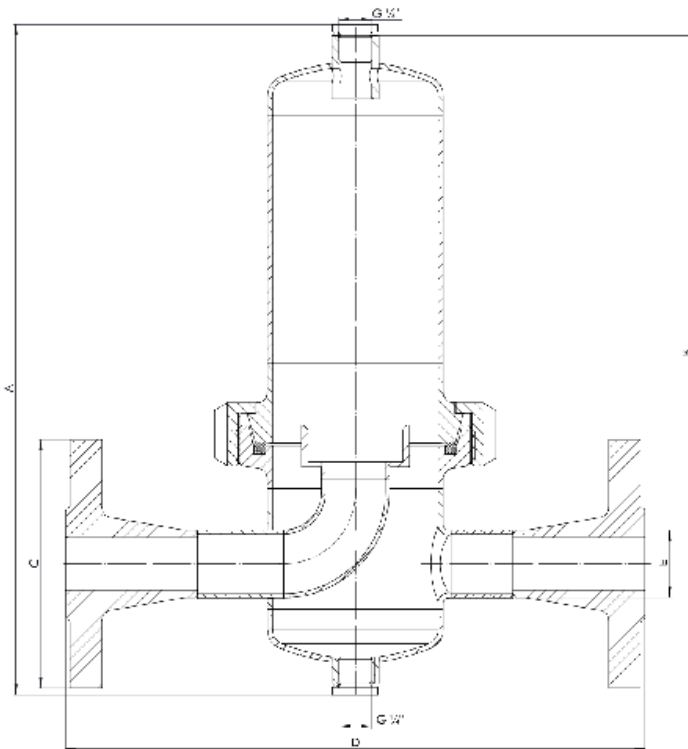
Otto-Hahn-Str. 1 • 40721 Hilden • Germany
Tel: +49 (0) 21 03.33 36 13 • Fax +49 (0) 21 03.33 36 36
e-Mail: info@ultra-filter.de • www.ultra-filter.de

P-EG Stainless Steel Housing

Weight and Dimensions

Ultrafilter P-EG Filter Housings with Flange Connection

acc. DIN EN 1092-1



Typ/ Type	A max. Höhe / length [mm]	B Höhe / length [mm]	C Gewinde / thread [NPT]	D Weite Anschluss / length connection [mm]	E Flansch / flanged [inch] DIN EN 1092-1	Volumen / volume [dm ³]	Masse / mass [kg]		Filter Element Size
							Gewinde / screwed	Flansch/ Flanged	
P-EG 0006 EN	214,5	205,5	Ø90 DN10	180 ±3	3/8"	0,6	-	3,3	03/10
P-EG 0009 EN	242,5	233,5	Ø90 DN10	180 ±3	3/8"	0,7	-	3,4	04/10
P-EG 0012 EN	242,5	233,5	Ø95 DN15	180 ±3	1/2"	0,7	-	3,6	04/20
P-EG 0018 EN	266,5	257,5	Ø105 DN20	202 ±3	3/4"	0,8	-	4,4	05/20
P-EG 0027 EN	292,5	283,5	Ø115 DN25	212 ±3	1"	1,4	-	5,7	05/25
P-EG 0036 EN	344,5	335,5	Ø140 DN32	220 ±3	1 1/4"	1,8	-	7,2	07/25
P-EG 0048 EN	383	374	Ø150 DN40	254 ±3	1 1/2"	2,8	-	8,9	07/30
P-EG 0072 EN	458	449	Ø165 DN50	260 ±3	2"	3,6	-	10,6	10/30
P-EG 0108 EN	585	576	Ø165 DN50	260 ±3	2"	4,6	-	11,2	15/30
P-EG 0144 EN	734	726	Ø185 DN65	306 ±3	2 1/2"	9,3	-	14,6	20/30
P-EG 0192 EN	997	988	Ø200 DN80	316 ±3	3"	12,6	-	17,2	30/30



Kronsbein ultrafilter®

ultrafilter gmbh

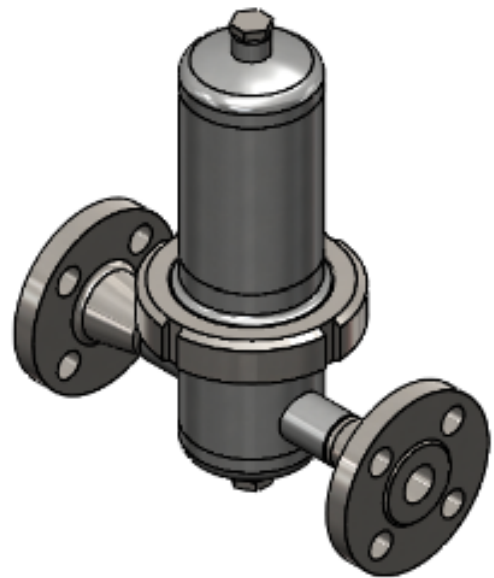
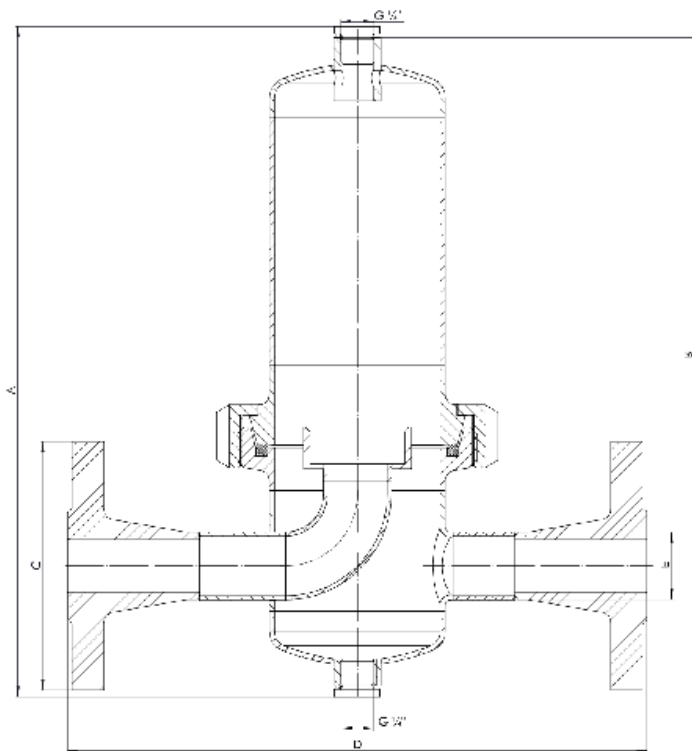
Otto-Hahn-Str. 1 • 40721 Hilden • Germany
Tel: +49 (0) 21 03.33 36 13 • Fax +49 (0) 21 03.33 36 36
e-Mail: info@ultra-filter.de • www.ultra-filter.de

P-EG Stainless Steel Housing

Weight and Dimensions

Ultrafilter P-EG Filter Housings with Flange Connection

acc. Class 150



Typ/ Type	A max. Höhe / length [mm]	B Höhe / length [mm]	C Gewinde / thread [NPT]	D Weite Anschluss / length connection [mm]	E Rohr / pipe [inch] Class 150	Volumen / volume [dm ³]	Masse / mass [kg]		Filter Element Size
							Gewinde / screwed	Flansch/ Flanged	
P-EG 0006 ANSI	214,5	205,5	Ø88,9	203 ±3	1/2"	0,6	-	3,1	03/10
P-EG 0009 ANSI	242,5	233,5	Ø88,9	203 ±3	1/2"	0,7	-	3,2	04/10
P-EG 0012 ANSI	242,5	233,5	Ø88,9	203 ±3	1/2"	0,7	-	3,2	04/20
P-EG 0018 ANSI	266,5	257,5	Ø98,6	230 ±3	3/4"	0,85	-	3,9	05/20
P-EG 0027 ANSI	292,5	283,5	Ø108	247 ±3	1"	1,4	-	5,4	05/25
P-EG 0036 ANSI	344,5	335,5	Ø117,3	254 ±3	1 1/4"	1,8	-	6,3	07/25
P-EG 0048 ANSI	384	375	Ø127	294 ±3	1 1/2"	3	-	8	07/30
P-EG 0072 ANSI	458	449	Ø152,4	297 ±3	2"	3,75	-	9,9	10/30
P-EG 0108 ANSI	585	576	Ø152,4	297 ±3	2"	4,7	-	10,6	15/30
P-EG 0144 ANSI	735	726	Ø177,8	356 ±3	2 1/2"	9,4	-	15,9	20/30
P-EG 0192 ANSI	997	988	Ø190,5	356 ±3	3"	13	-	19,2	30/30
P-EG 0288 ANSI	1022	1013	Ø190,5	380 ±3	3"	18,4	-	21,8	30/50